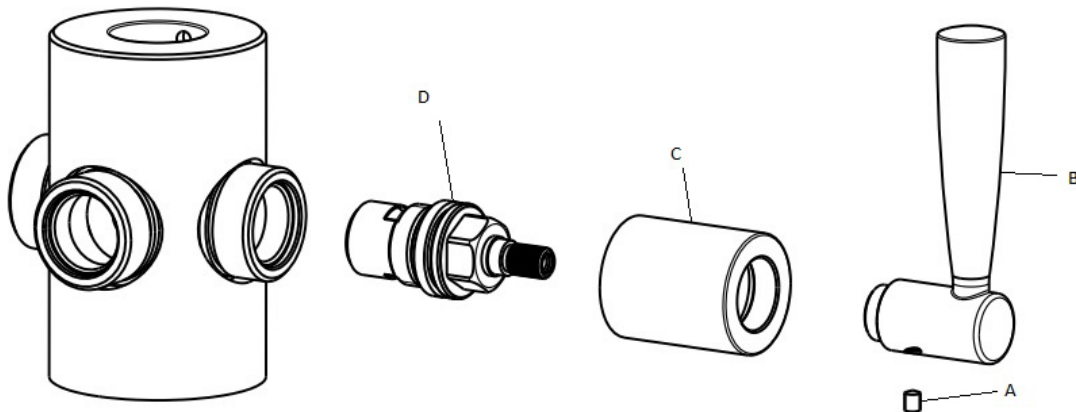


FRANKE FILTERFLOW

Valve Change Guide - Olympus



Before you begin

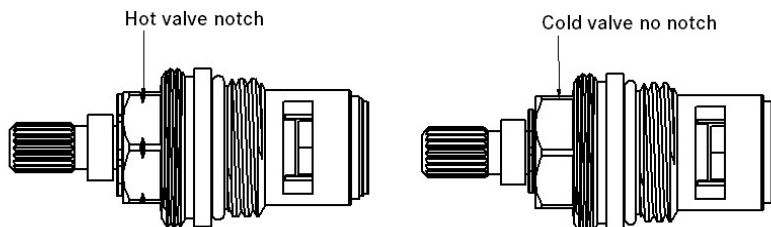
Replacing the valves of a Filterflow tap is a straightforward procedure for any competent handyperson. However, should you have any doubts about your ability to tackle the task we suggest you engage a suitably qualified professional.

Tools required:

1. 17mm ring spanner or a suitable adjustable spanner
2. 2mm Allen key (supplied with valve)

The valve change procedure

1. Turn off the water supply to the tap.
2. Use the 2mm Allen key to unscrew grub screw (A).
3. Remove the handle (B).
4. Unscrew the valve cover (C).
5. Unscrew the old valve (D) using a 17 mm spanner or a suitable adjustable one. Bear in mind that it might take some initial force to free the valve if it has been in place for some time.
6. Select the correct valve, as they are handed. The valves are identifiable by a notch which indicates a hot valve, the cold valve has no notch. Viewing the tap from the front, the valve with a notch should be installed on the left (hot) side. A valve with no notch should be installed on the right (cold) side. A cold valve should be installed in the centre (filtered water) position.



7. Screw each valve in its correct location, as described above, and tighten firmly.
8. Refit cover (C), and handle (B), then tighten grub screw (A) with the 2 mm Allen key.
9. Turn the water supply back on and check for leaks.

FRANKE

GRL Direct
+44 (0)1603 875468
contact@grldirect.co.uk
www.grldirect.co.uk