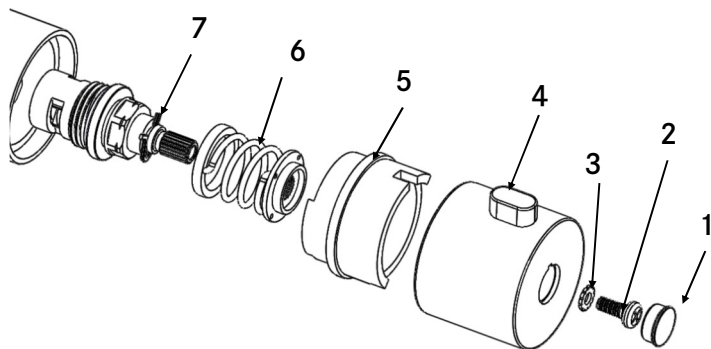


FRANKE Minerva

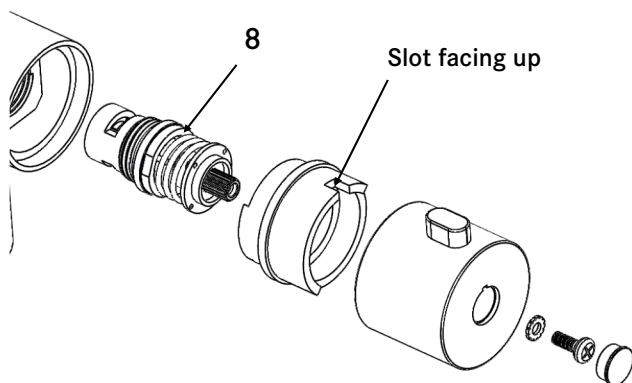
Boiling Handle Valve Change Guide

The tools you will need

1. Pozi head screwdriver
2. 17mm AF spanner.
3. 22mm AF spanner.



1. Switch off the mains electricity supply to the boiler.
2. Locate the shut-off valve with the green handle adjacent to the inlet of the filter housing and turn off the mains water supply to the tank.
3. Turn the boiling water handle to the "ON" position for a few seconds to release the pressure in the system.
4. Use a small screwdriver or craft knife to carefully to remove the end cap (1) using the slot in the handle's face.
5. Unscrew retaining screw (2) and washer (3) anti clockwise using a Pozi head screwdriver.
6. Pull handle (4) away from the tap body.
7. Pull plastic insert (5) out of tap body.
6. Pull spring and driving ring assembly (6) off the valve (7).
7. Unscrew valve from body anti clockwise using 17mm AF spanner.



1. Screw new valve (8) into body using 22mm AF spanner.
2. Push plastic insert back into valve bore. **Important Note** ensure that slot on plastic insert is facing upwards.
3. Push handle back onto body.
4. Screw retaining screw and washer back into valve.
5. Push end cap back into handle.
6. Turn the water supply back on and check for leaks.
7. Switch on the mains electricity supply to the boiler.

FRANKE

FRANKE FILTERFLOW

KITCHEN
SYSTEMS

Franke FilterFlow 3 Old Winery Business Park, Chapel Street,
Cawston, Norfolk, NR10 4FE
Phone +44 (0) 808 165 0008 Fax +44 (0) 844 358 0166
Email: info@frankefilterflow.co.uk

FilterFlow is a trading name of Greg Rowe Limited (GRL). GRL is the exclusive designer and manufacturer of all FilterFlow cartridges, spares and accessories. © Greg Rowe Ltd. All Rights Reserved