

FRANKE FILTERFLOW

Cartridge Replacement - Stainless Steel Housing

The cartridge in your Franke filter system needs to be changed every 6 months.

At this stage the carbon within the filter cartridge begins to lose its effectiveness.

Changing your Franke filter system's cartridge is simple and straightforward...

1. Shut-off the mains water supply. A stop valve is supplied with your Franke filter tap for this purpose. This can be located by tracing the inlet tube from the filter housing back to the adjacent pipework.
2. Turn your Franke tap's filtered water lever to the 'ON' position and leave it on. This will confirm that the water supply is turned off and release the pressure in the system.
3. Position a suitable receptacle under the filter housing assembly 'D' to catch residual water.
4. Carefully lift the filter housing assembly from its retaining bracket 'E'. Firmly grip the head 'B' and release the sump 'A' by turning it in the direction indicated in the diagram.
5. Remove the sump, discard the water it contains and set it to one side.
6. Holding the head in one hand, unscrew and remove the used cartridge 'C' with the other.
7. The ceramic and carbon components of the cartridge are bio-degradable. The cartridge can be discarded with your normal household waste. If you would prefer to return the cartridge for recycling you may, simply allow it to dry, repack it in the new cartridge packaging, and return it to Franke FilterFlow.
8. We recommend that you wash the sump in warm, soapy water and rinse it well before re-assembly.
9. Unpack the new filter and carefully screw it in place into the female thread in the head. Tighten the cartridge only sufficient to make a seal. Do not be tempted to over tighten as you will risk snapping the threaded section and/or breaking the ceramic.
10. Reassemble the housing; holding the head in one hand while repositioning the sump with the other. Refer to the diagram and turn the sump in the direction indicated to close it. Make sure that the sump is fully engaged with the head. Prior to this stage you may lubricate the rubber seal 'F' with a smear of WRAS approved silicon grease. Tubes of a suitable silicon grease are available at www.FrankeFilterFlow.co.uk

11. Replace the unit on the bracket and turn on the water supply.

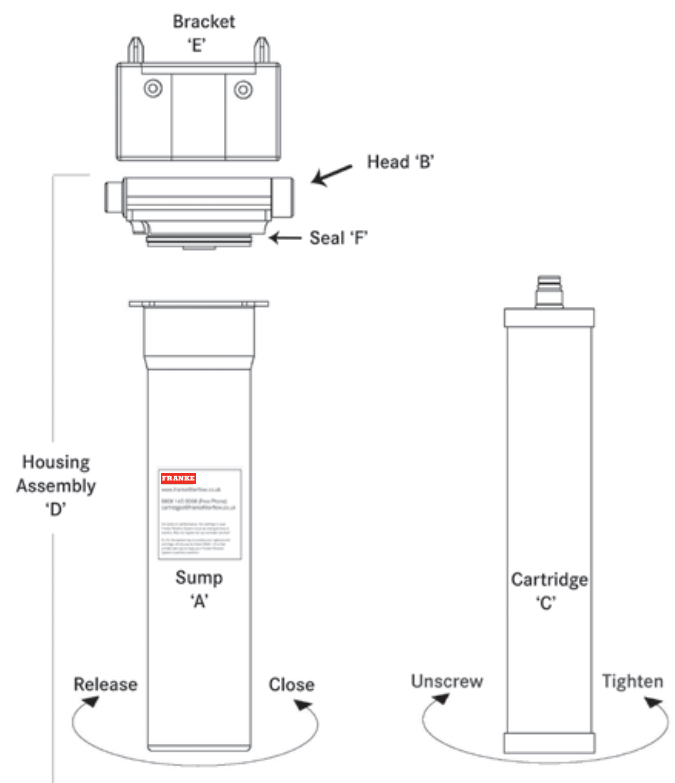
12. Run the filtered water for 10 minutes to condition the cartridge and carefully check the systems for leaks. Your Franke filter system is now ready for use.

Decommissioning your Franke filter system

If you plan to be away from home for extended periods, or if there is a risk of freezing, we recommend that you decommission and drain your Franke filter system.

To do this, follow the cartridge replacement procedure to step 10, omitting steps 6, 7, 8 and 9 but leaving the stop valve in the 'OFF' position.

To re-commission your system simply turn the stop valve to the 'ON' position and run the filtered water for 5 minutes to flush the system. Carefully check for leaks. The system will then be ready to use again.



FRANKE FILTERFLOW

Cartridge Replacement - Plastic Housing

The following process is the same for every generation of Franke white plastic filter housing.

The recommended filter cartridge change cycle is 6 months

Important: The period between cartridge replacements is not guaranteed; it is an estimate based on filtering mains water of average quality. Please bear in mind that water quality varies from locality to locality and situation to situation. In areas with higher than average turbidity (particle contamination) the Franke 01 & Franke 02 cartridges may need to be changed more frequently. In areas with higher than average hardness the Franke 05 may need to be changed more frequently.

Before you begin

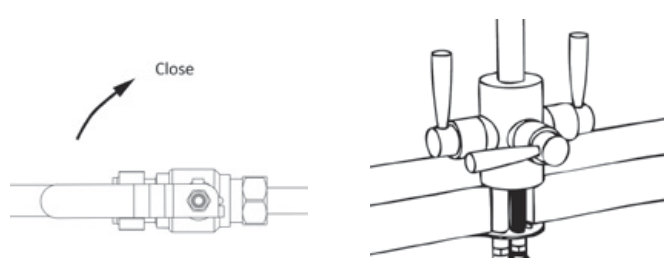
No special tools are required for this operation. All you will need is a suitable receptacle to catch any spillage and a cloth or a sponge handy. A rubber glove is provided to hold the wet cartridge.

Lubricating the rubber seals

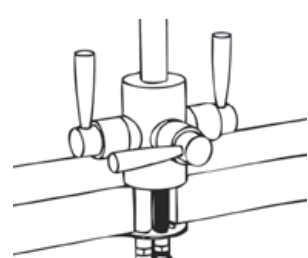
For ease of assembly we recommend that a film of silicone grease is applied to the filter housing 'O' Seal, at least every other cartridge change, to maintain the smooth operation of the unit. **Important note** Only a WRAS approved silicon lubricant should be used for this purpose. Small tubes of a WRAS approved silicon grease can be purchased from Franke FilterFlow at www.FrankeFilterFlow.co.uk

Disposing of the Spent Cartridge

You may dispose of the cartridge in your normal household waste. Both the ceramic and carbon components of the Franke 01 & Franke 02 cartridges are biodegradable. You are welcome to return either the plastic parts or the complete cartridge to Franke FilterFlow for recycling. Should you decide to return the cartridge please allow it to dry naturally and return it in the original packaging.



1. Locate the shut-off valve and turn off the mains water supply to the filter housing.



2. Turn the dispenser tap to "ON" to release the pressure in the system. Leave the tap in the on position*

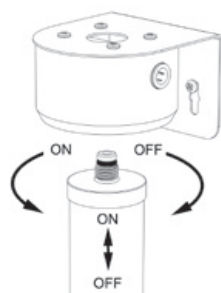


3. Have a bowl to hand. Grip the sump firmly and turn it to the left, just sufficient to break the seal.

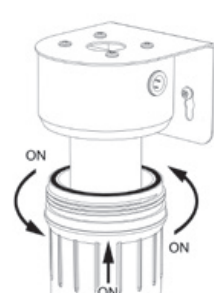


4. Hold the housing over the bowl and continue to unscrew sump. Carefully remove the sump and empty the water it contains. Set it to one side. Unscrew the filter cartridge and discard it.

Lift the filter housing assembly off its two supporting screws.

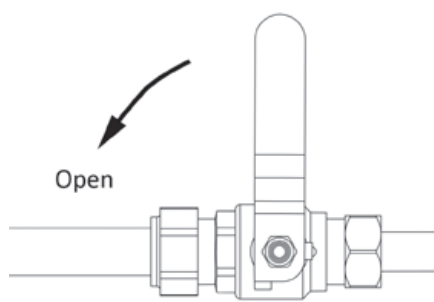


5. Screw the new cartridge in to the head. Tighten it firmly to make a seal. Do not over tighten as this may cause the threaded section to break off.



6. Screw the sump to the head and tighten it firmly.

Re-mount the assembled housing on the two retaining screws.



7. Turn the water supply 'on' and check the system carefully for leaks. Leave the filter tap in the 'on' position and allow the water to run for approximately 10 minutes to flush the system.

The optimum flow rate is 2 litres per minute. If the flow is too fast it can be regulated by adjusting the stop valve.

***Important note.** If the tap is not left on the pressure trapped in the system will make it impossible to unlock the filter housing sump from the head.