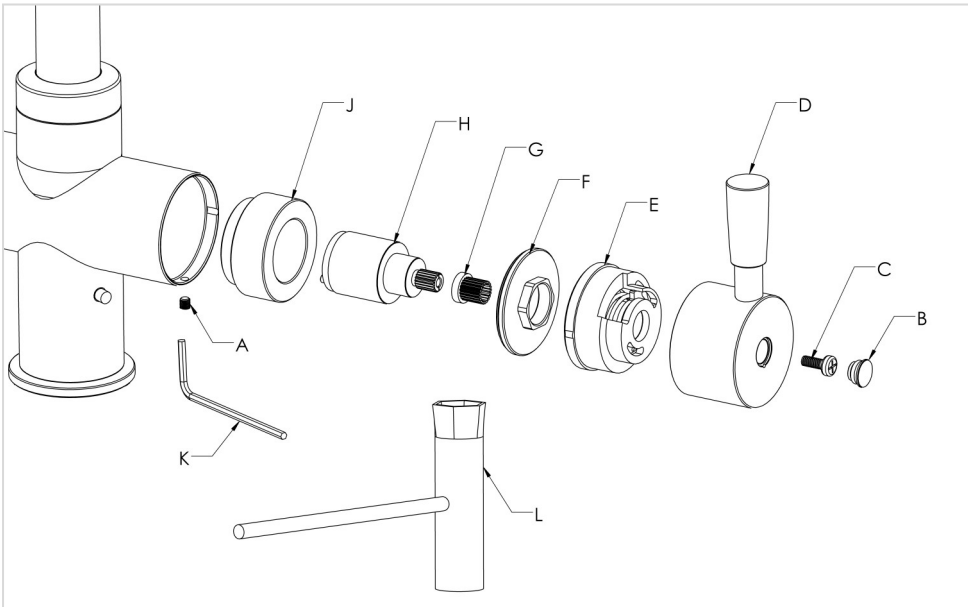


Franke Omni

Boiling/Filter Valve Change Guide

Spline Valve



Before you Begin

Replacing the boiling water/filtered water valve of an Omni tap is a straightforward procedure for a competent handyperson. However, should you have any doubts about your ability to tackle the task, we suggest you engage a suitably qualified professional.

Supplied in Valve Change Kit

- | | | |
|---------------------------------|-------------------------------|-------------------------|
| 1. Spacer Ring (J) | 2. Replacement Valve (H) | 3. Vernier Insert (G) |
| 4. Replacement Clamping Nut (F) | 5. 1.5mm & 2mm Allen Keys (K) | 6. 19mm Box Spanner (L) |

Tools Required Pozidrive Screwdriver

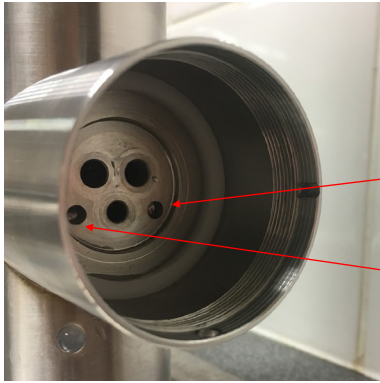
The Valve Change Procedure

1. Switch off the electricity to your tap's boiler tank by using the switch located on the front of the tank.
2. Run the boiling water until the water runs cold—this will take a good couple of minutes or so.
3. Under the sink, shut off the water supply to your tap's filter unit using the adjacent stop-valve.
4. Push your tap's filtered cold and filtered boiling water lever back and forth to de-pressurise the filter unit.
5. Remove the cap 'B' in the centre of your tap's filtered cold/filtered water handle. The 1.5mm Allen Key included in the kit can be used to lever the cap off.
6. Having removed the cap, use the **Pozidrive** screwdriver to unscrew the screw
7. Remove your tap's handle 'D'.
8. Using one of the two **Allen keys** provided 'K', unscrew the grub screw 'A'. Please note, the size of Allen Key you will need to use depends upon the age of your Omni tap.
9. Pull out the safety mechanism 'E'.
10. Remove the plastic vernier insert 'G' - this will either have remained in place on your tap's old valve, or will be inside the cavity of your tap's handle. Note that a new vernier is supplied.
11. Unscrew the clamping nut 'F' using the **box spanner** 'L' that is provided. Throw the old nut away.
12. Remove your tap's old valve from its body and discard it.
13. Place the new spacer ring 'J' into the tap's body. Ensure the end with the smallest diameter is facing inwards - see above diagram.

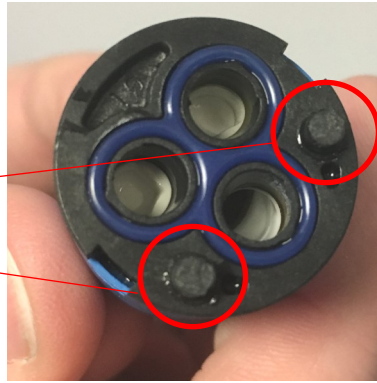
Continued Overleaf

The Valve Change Procedure—Continued

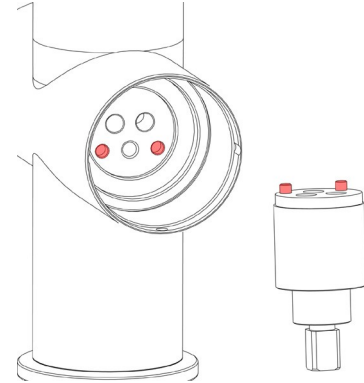
14. **! EXTRA CARE REQUIRED !** Position the replacement valve 'H' into the tap's body, so that the two, protruding lugs on the valve fit into the two, corresponding holes in the tap's body. Please see below photos.



Your tap handle's cavity.



Close up of valve. Note lugs.



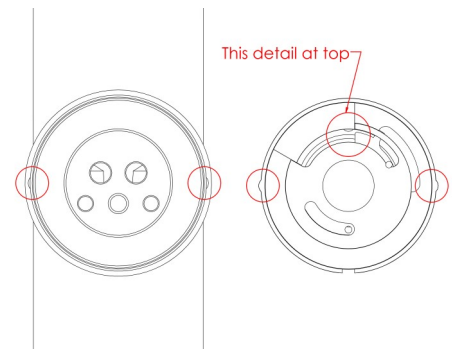
15. Screw the new clamping nut 'F' into the tap's body and tighten it firmly with the **box spanner 'L'**.
16. **! EXTRA CARE REQUIRED !** Reposition the safety mechanism 'E' into the tap's handle cavity, ensuring the two notches are correctly located within the tap's body. Secure it in place by tightening the grub screw 'A' with the **Allen Key 'J'**. Please see below photos and diagram for further guidance.



Carefully align the notches.



Safety mechanism correctly placed.

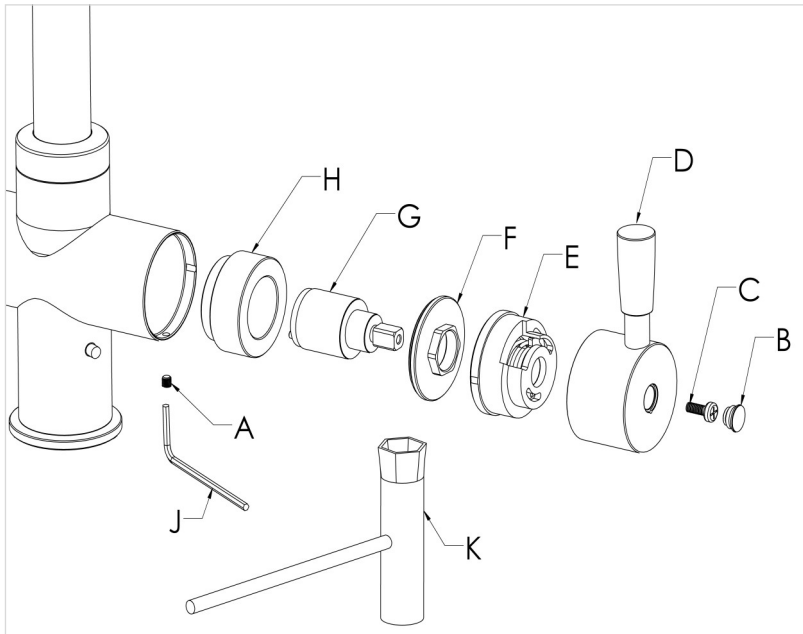


17. Place the new vernier insert 'G' into your tap's handle 'D' and place the handle back on the valve, checking the handle is aligned vertically. If the handle is not exactly vertical, remove the handle. Pull out the vernier, rotate it one or two notches and place the vernier back into the handle. Refit the handle, check it is aligned vertically and repeat this process until your tap's handle is vertically aligned.
18. Test the operation of your tap's boiling/filtered water lever to ensure it is functioning properly.
19. Reposition the cap 'B'.
20. Operate the stop-valve under your kitchen sink to turn the water supply back on.
21. Run the filtered cold/filtered boiling water lever again and check that your Omni is working correctly—taking care to check for leaks.
22. Switch on the electricity supply to your tap's boiler tank. Allow 20 minutes for the water to reheat. Your Omni will then be ready to use again.

Franke Omni

Boiling/Filter Valve Change Guide

Square Valve



Before you Begin

Replacing the boiling water/filtered water valve of an Omni tap is a straightforward procedure for a competent handyperson. However, should you have any doubts about your ability to tackle the task, we suggest you engage a suitably qualified professional.

Supplied in Valve Change Kit

- | | | |
|---------------------------------|-------------------------------|-------------------------|
| 1. Spacer Ring (H) | 2. Replacement Valve (G) | 3. 19mm Box Spanner (K) |
| 4. Replacement Clamping Nut (F) | 5. 1.5mm & 2mm Allen Keys (J) | |

Tools Required Pozidrive Screwdriver

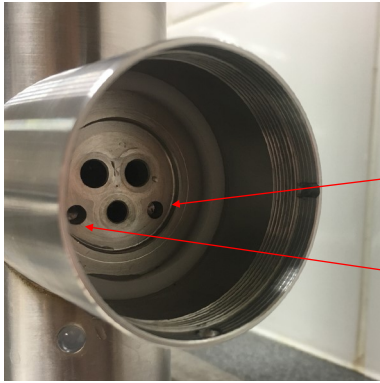
The Valve Change Procedure

1. Switch off the electricity to your tap's boiler tank by using the switch located on the front of the tank.
2. Run the boiling water until the water runs cold—this will take a good couple of minutes or so.
3. Under the sink, shut off the water supply to your tap's filter unit using the adjacent stop-valve.
4. Push your tap's filtered cold and filtered boiling water lever back and forth to de-pressurise the filter unit.
5. Remove the cap 'B' in the centre of your tap's filtered cold/filtered water handle. The 1.5mm Allen Key included in the kit can be used to lever the cap off.
6. Having removed the cap, use the **Pozidrive** screwdriver to unscrew the screw, 'C'.
7. Remove your tap's handle 'D'.
8. Using one of the two **Allen Keys** provided 'J', unscrew the grub screw 'A'. Please note, the size of Allen Key you will need to use depends upon the age of your Omni tap.
9. Pull out the safety mechanism 'E'.
10. Unscrew the clamping nut 'F' using the **box spanner** 'K' that is provided. Throw the old nut away.
11. Remove your tap's old valve 'G' from its body and discard it.
12. Place the new spacer ring 'H' into the tap's body. Ensure the end with the smallest diameter is facing inwards—refer to the photographs and drawings overleaf.

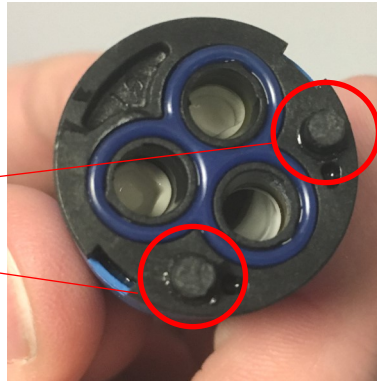
Continued Overleaf

The Valve Change Procedure—Continued

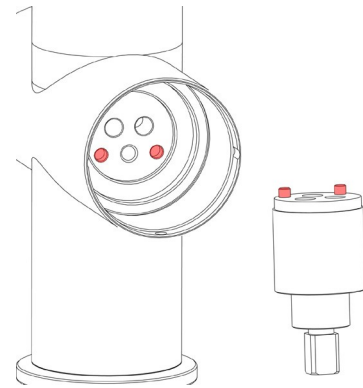
13. **! EXTRA CARE REQUIRED !** Position the replacement valve 'G' into the tap's body, so that the two, protruding lugs on the valve fit into the two, corresponding holes in the tap's body. Please see below photos.



Your tap handle's cavity.



Close up of valve. Note lugs.



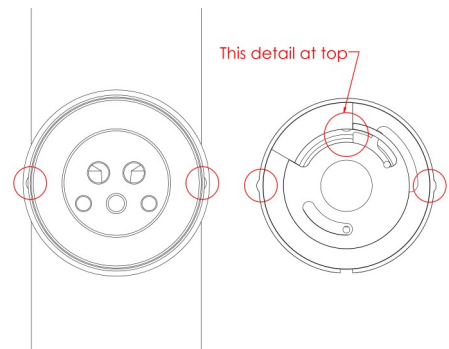
14. Screw the new clamping nut 'F' into the tap's body and tighten it firmly with the **box spanner 'K'**.
15. **! EXTRA CARE REQUIRED !** Reposition the safety mechanism 'E' into the tap's handle cavity, ensuring the two notches are correctly located within the tap's body. Secure it in place by tightening the grub screw 'A' with the **Allen Key 'J'**. Please see below photos and diagram for further guidance.



Carefully align the notches.



Safety mechanism correctly placed.



16. Place the handle 'D' back on the valve. Firmly tighten the screw 'C'.
17. Test the operation boiling/filtered water lever to ensure it is functioning properly.
18. Reposition the cap 'B'.
19. Operate the stop-valve under your kitchen sink to turn the water supply back on.
20. Run the filtered cold/filtered boiling water and check that your Omni is working correctly—taking care to check for leaks.
21. Switch on the electricity supply to your tap's boiler tank. Allow 20 minutes for the water to reheat. Your OMNI will then be ready to use again.