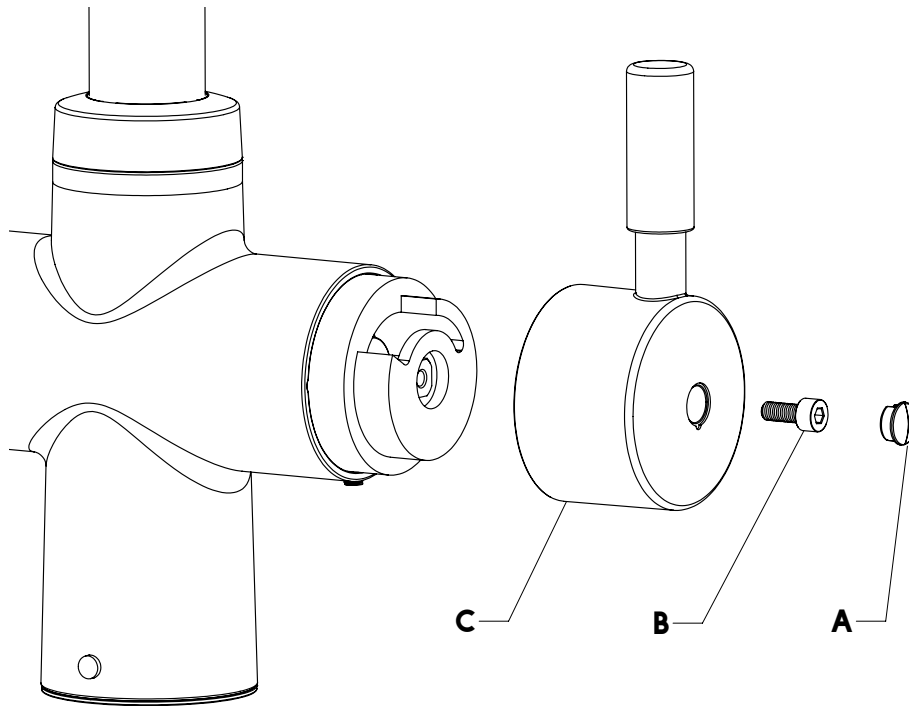


# BOILING/FILTERED LEVER CHANGE GUIDE



## Before you begin

Replacing the boiling/filtered lever of a boiling water tap is a straightforward procedure for any competent handyperson. However, should you have any doubts about your ability to tackle the task we suggest you engage a suitably qualified professional.

## Tools required:

1. 3mm Allen Key (Supplied).

## The lever change procedure:

1. Remove the cap (A) using a thin bladed item. (A spare cap is included just in case it gets damaged whilst being removed)
2. Unscrew the screw (B) using the 3mm Allen Key.
3. Remove the handle (C).
4. Fit the new handle.
8. Replace the screw (B) and screw firmly into position.
9. Re-position the cap (A).