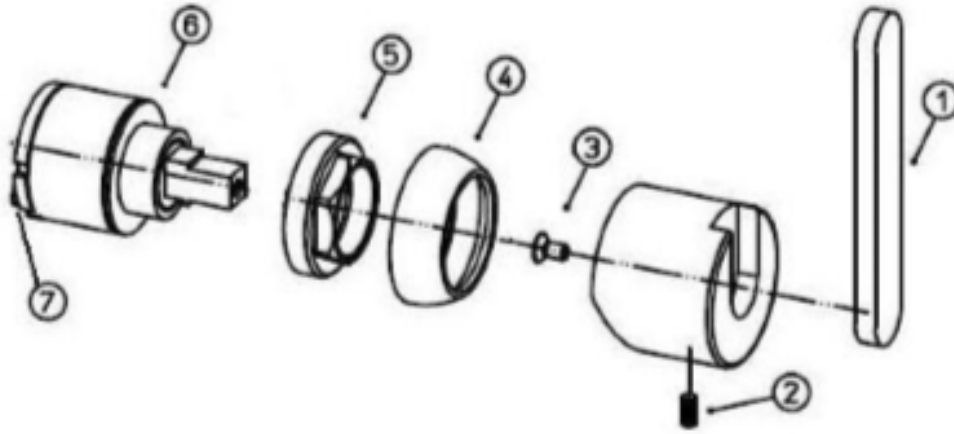


FRANKE MINERVA

Mixer Valve Change Guide



The valve change procedure:

1. Turn off the Hot & Cold water supply to the tap
2. Use the 2.5mm Allen key provided to remove the Grub Screw (2) from the base of the handle
3. Pull the Handle assembly away from the body of the tap
4. Unscrew decorative ring (4) anti clockwise
5. Unscrew the nut (5) using a suitable spanner (32 AF)
6. Pull the valve (6) away from the body of the tap
7. Insert the new valve. **Important Note:** Ensure the 2 raised lugs at the end of the valve (7) are aligned with the 2 holes in the tap body.
8. Reassemble the handle. **Important Note:** Do not over tighten the nut (5) as this may cause damage to the valve.

FRANKE

GRL Direct
+44 (0)1603 875468
support@grldirect.co.uk
www.grldirect.co.uk